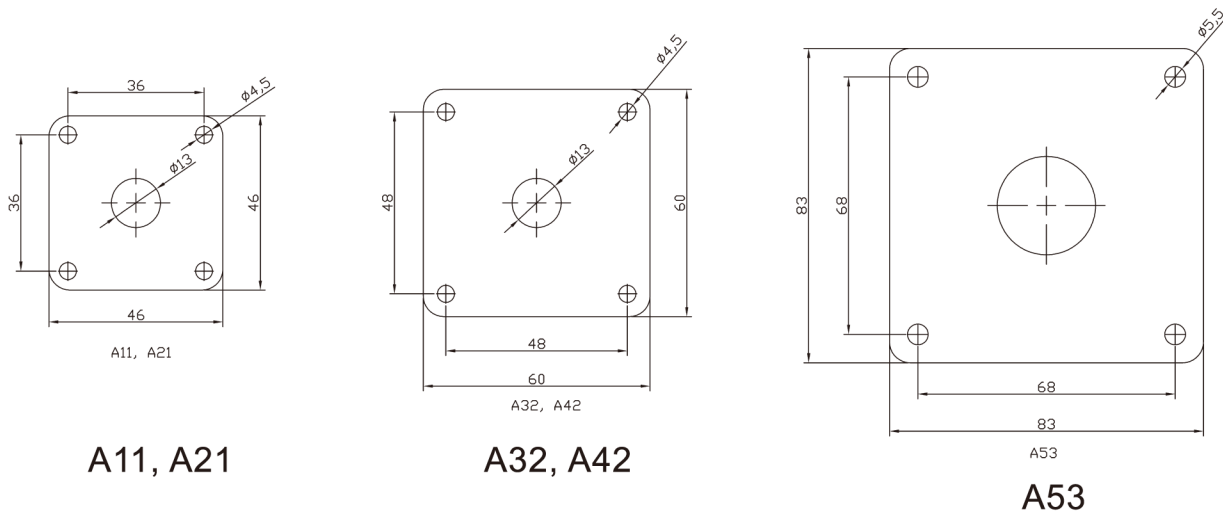


Type of Switch	Type of Frame	Contact arrangement & Code No.	Type of Escutcheon Plate No.	Handle type																																																																																																																																															
A11 (20A)	F1 F2 F3	Please refer to "Code No" on Page 5 to Page 16 for detail	Please refer to "Escutcheon Plate" on Page 5 to Page 16 for detail	Please refer to Page 4 for detail																																																																																																																																															
A21 (25A)	F1 F2 F3 F4	NOMINAL RATING <table border="1"> <thead> <tr> <th rowspan="2">Type</th> <th rowspan="2">Continuous Current lth A</th> <th rowspan="2">Motor</th> <th colspan="2">3ph</th> <th colspan="2">AC 23A - KW</th> <th colspan="2">AC 3A - KW</th> </tr> <tr> <th>3ph</th> <th>1ph</th> <th>3ph</th> <th>1ph</th> <th>3ph</th> <th>1ph</th> </tr> </thead> <tbody> <tr> <td rowspan="3">A11</td> <td rowspan="3">20A</td> <td>110V-120V</td> <td></td> <td>1HP</td> <td></td> <td></td> <td></td> <td></td> </tr> <tr> <td>220V-240V</td> <td>3HP</td> <td>2HP</td> <td>3.7</td> <td>2.5</td> <td>3</td> <td>2.2</td> </tr> <tr> <td>440V-480V</td> <td>5HP</td> <td></td> <td>7.5</td> <td>3.7</td> <td>5.5</td> <td>3</td> </tr> <tr> <td>A21</td> <td>600V AC</td> <td>660V-690V</td> <td></td> <td></td> <td>7.5</td> <td>4.0</td> <td>5.5</td> <td>3</td> </tr> <tr> <td rowspan="3">A32</td> <td rowspan="3">40A</td> <td>110V-120V</td> <td></td> <td>3HP</td> <td></td> <td></td> <td></td> <td></td> </tr> <tr> <td>220V-240V</td> <td>7.5HP</td> <td>5HP</td> <td>7.5</td> <td>3.5</td> <td>5.5</td> <td>3</td> </tr> <tr> <td>440V-480V</td> <td>10HP</td> <td></td> <td>10</td> <td>3.8</td> <td>7.5</td> <td>3.5</td> </tr> <tr> <td>A32</td> <td>600V AC</td> <td>660V-690V</td> <td></td> <td></td> <td>13</td> <td>5.5</td> <td>10</td> <td>5</td> </tr> <tr> <td rowspan="3">A42</td> <td rowspan="3">80A</td> <td>110V-120V</td> <td></td> <td>5HP</td> <td></td> <td></td> <td></td> <td></td> </tr> <tr> <td>220V-240V</td> <td>15HP</td> <td>10HP</td> <td>15</td> <td>11</td> <td>11</td> <td>3.5</td> </tr> <tr> <td>440V-480V</td> <td>30HP</td> <td></td> <td>25</td> <td>15</td> <td>18.5</td> <td>10</td> </tr> <tr> <td>A42</td> <td>600V AC</td> <td>660V-690V</td> <td></td> <td></td> <td>25</td> <td>15</td> <td>18.5</td> <td>10</td> </tr> <tr> <td rowspan="3">A53</td> <td rowspan="3">115A</td> <td>110V-120V</td> <td>10HP</td> <td>5HP</td> <td></td> <td></td> <td></td> <td></td> </tr> <tr> <td>220V-240V</td> <td>20HP</td> <td>10HP</td> <td>30</td> <td>15</td> <td>15</td> <td>7.5</td> </tr> <tr> <td>440V-480V</td> <td>30HP</td> <td></td> <td>45</td> <td>22</td> <td>30</td> <td>13</td> </tr> <tr> <td>A53</td> <td>600V AC</td> <td>660V-690V</td> <td></td> <td></td> <td>45</td> <td>18.5</td> <td>30</td> <td>11</td> </tr> </tbody> </table>			Type	Continuous Current lth A	Motor	3ph		AC 23A - KW		AC 3A - KW		3ph	1ph	3ph	1ph	3ph	1ph	A11	20A	110V-120V		1HP					220V-240V	3HP	2HP	3.7	2.5	3	2.2	440V-480V	5HP		7.5	3.7	5.5	3	A21	600V AC	660V-690V			7.5	4.0	5.5	3	A32	40A	110V-120V		3HP					220V-240V	7.5HP	5HP	7.5	3.5	5.5	3	440V-480V	10HP		10	3.8	7.5	3.5	A32	600V AC	660V-690V			13	5.5	10	5	A42	80A	110V-120V		5HP					220V-240V	15HP	10HP	15	11	11	3.5	440V-480V	30HP		25	15	18.5	10	A42	600V AC	660V-690V			25	15	18.5	10	A53	115A	110V-120V	10HP	5HP					220V-240V	20HP	10HP	30	15	15	7.5	440V-480V	30HP		45	22	30	13	A53	600V AC	660V-690V			45	18.5	30	11
Type	Continuous Current lth A							Motor	3ph		AC 23A - KW		AC 3A - KW																																																																																																																																						
					3ph	1ph	3ph		1ph	3ph	1ph																																																																																																																																								
A11	20A				110V-120V		1HP																																																																																																																																												
					220V-240V	3HP	2HP	3.7	2.5	3	2.2																																																																																																																																								
		440V-480V	5HP		7.5	3.7	5.5	3																																																																																																																																											
A21	600V AC	660V-690V			7.5	4.0	5.5	3																																																																																																																																											
A32	40A	110V-120V		3HP																																																																																																																																															
		220V-240V	7.5HP	5HP	7.5	3.5	5.5	3																																																																																																																																											
		440V-480V	10HP		10	3.8	7.5	3.5																																																																																																																																											
A32	600V AC	660V-690V			13	5.5	10	5																																																																																																																																											
A42	80A	110V-120V		5HP																																																																																																																																															
		220V-240V	15HP	10HP	15	11	11	3.5																																																																																																																																											
		440V-480V	30HP		25	15	18.5	10																																																																																																																																											
A42	600V AC	660V-690V			25	15	18.5	10																																																																																																																																											
A53	115A	110V-120V	10HP	5HP																																																																																																																																															
		220V-240V	20HP	10HP	30	15	15	7.5																																																																																																																																											
		440V-480V	30HP		45	22	30	13																																																																																																																																											
A53	600V AC	660V-690V			45	18.5	30	11																																																																																																																																											
A32 (32A)	F3																																																																																																																																																		
A42 (63A)	F3																																																																																																																																																		
A53 (100A)	F5																																																																																																																																																		
Please refer to "Nominal Rating" for detail	Please refer to "Frame Dimensions" for detail																																																																																																																																																		

DIMENSIONS FOR TYPE A11, A21, A32, A42, A53



FRAME DIMENSIONS

