

Enclosed Limit Switches

FEATURES

- Side mount switches.
- Momentary contacts.
- Level or plunger operation.
- Regular or sealed operating heads.
- Completely sealed construction.
- 1/2" conduit entry, captive cover screws.
- Dustproof. Oil-Tight, Water-Resistant.
- Temperature range +15°F to +175°F (-10°C to +80°C).

AZ6 series side mount switches are offered with or without actuator seal boots. Both have a combination insulator seal cemented inside the bottom enclosure. Lead washers are used to seal the mounting holes on side mount switches.

The elastomer boot on sealed actuator versions and cover seal on all switches protect the actuating mechanism and the internal basic switch from contaminations.

All side mount switches are installed with M4 screws. Removal of the bottom enclosure exposes the terminals for easy wiring.

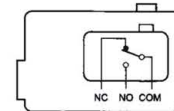
CHARACTERISTICS

Operating speed	0.01mm to 1m/sec
Operating frequency	Mechanically : 240 operations/min. Electrically : 20 operations/min.
Contact resistance	15m Ω max.(initial)
Insulation resistance	100M Ω min. (at 500 VDC)
Dielectric strength	1,000 VAC,50/60 Hz for 1 minute between non-continuous terminals 2,000 VAC,50/60 Hz for 1 minute between current-carrying part and ground.
Vibration	Malfunction durability : 10 to 55 Hz 1.5mm double amplitude
Shock	Mechanical durability : Approx. 1,000m/sec ² (approx. 100G's) Malfunction durability : Approx. 300m/sec ² (approx. 30G's)
Ambient operating temperature	Operating : -10°C to +80°C
Humidity	General purpose type : 85% RH max. Sealed type : 95% RH
Service life	Mechanically : 20,000,000 operations min. Electrically : 500,000operations min.

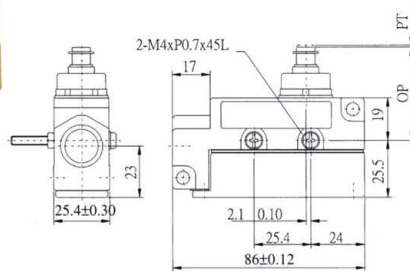
RATING

15A 125, 250VAC
1/8HP 125 VAC
1/4HP 250VAC
1/2A 125VDC
1/4A 250VDC

CIRCUITRY

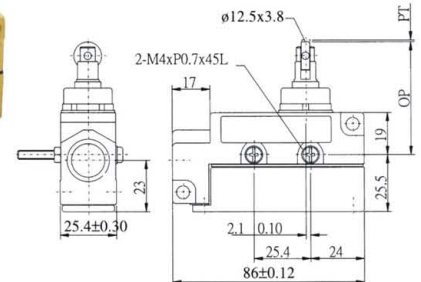


AZ-6101



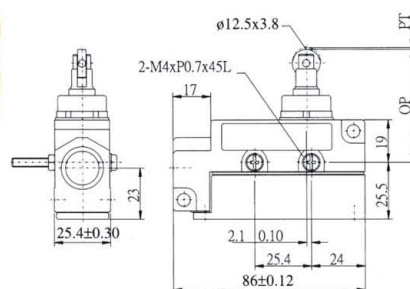
OF MAX	250g-450g
RF MIN	114g
PT MAX	0.8mm
OT MIN	5.5mm
DT MAX	0.05mm
OP	40.2 ±0.8

AZ-6102R



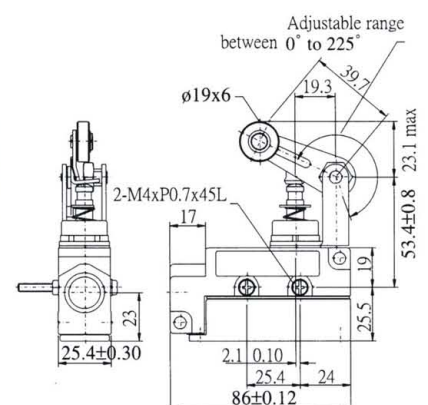
OF MAX	250g-450g
RF MIN	114g
PT MAX	0.8mm
OT MIN	3.6mm
DT MAX	0.05mm
OP	50.7 ±0.8

AZ-6102



OF MAX	250g-450g
RF MIN	114g
PT MAX	0.8mm
OT MIN	3.6mm
DT MAX	0.05mm
OP	50.7 ±0.8

AZ-6104



OF MAX	570g
RF MIN	170g
PT MAX	4mm
OT MIN	6mm
DT MAX	0.4mm
OP	53.4±0.8