

Micro Switches

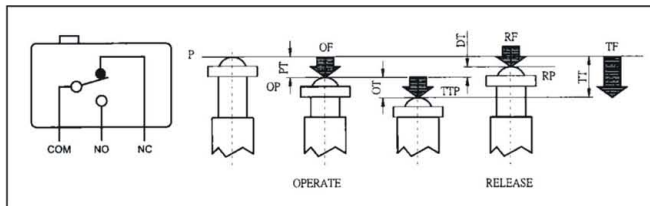
FEATURES

- Regular or sealed operating heads.
- Momentary contacts.
- Completely sealed constructure.
- Wide choice of heads and actuators.
- Plastic(Standdard) or phenolic housing.
- Regular or light operating force.
- Temperature range +5° to +175° (-15°C to +80°C).

CHARACTERISTICS

Operating speed	0.01mm to 1m/sec
Operating frequency	Mechanically : 240 operations/min. Electrically : 20 operations/min.
Contact resistance	15m Ω max.(initial)
Insulation resistance	100M Ω min. (at 500 VDC)
Dielectric strength	1,000 VAC,50/60 Hz for 1 minute between non-continuous terminals 2,000 VAC,50/60 Hz for 1 minute between current-carry part and ground.
Vibration	Malfunction durability : 10 to 55 Hz 1.5mm double amplitude
Shock	Mechanical durability : Approx. 1,000m/sec ² (approx. 100G's) Malfunction durability : Approx. 300m/sec ² (approx. 30G's)
Ambient operating temperature	General purpose type : -25°C to +80°C Sealed type : -15°C to +8°C
Humidity	General purpose type : 85% RH max. Sealed type : 95% RH
Service life	Mechanically : 20,000,000 operations min. Electrically : 500,000 operations min.

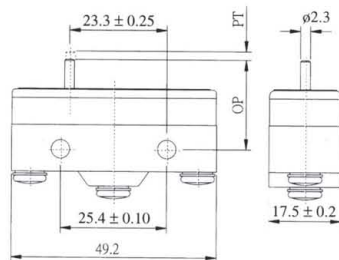
CIRCUITRY



AM-1300



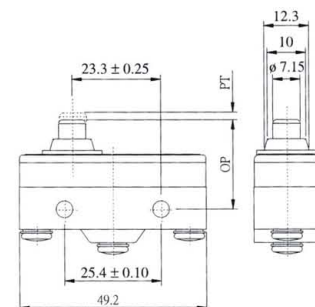
F MAX	250g-450g
RF MIN	114g
PT MAX	0.5mm
OT MIN	0.13mm
DT MAX	0.05mm
FP MAX	-
OP	15.9 ±0.4



AM-1306



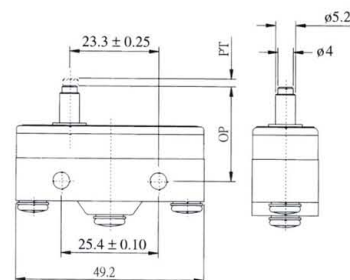
F MAX	250g-450g
RF MIN	114g
PT MAX	0.5mm
OT MIN	1.6mm
DT MAX	0.05mm
FP MAX	-
OP	21.5 ±0.5



AM-1305



F MAX	250g-450g
RF MIN	114g
PT MAX	0.5mm
OT MIN	0.6mm
DT MAX	0.05mm
FP MAX	-
OP	28.2 ±0.5



AM-1307



F MAX	250g-450g
RF MIN	114g
PT MAX	0.5mm
OT MIN	5.5mm
DT MAX	0.05mm
FP MAX	-
OP	38.1 ±0.8

