

Mini light Limit switches

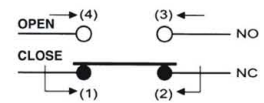
FEATURES

- Total plastic enclosure, light weight switches.
- Wide choice of heads and actuators.
- Captive cover screws.
- Mode of operation is filed adjustable.
- Dustproof, Oil-Tight, Water-Resistant.
- 2 circuits: 1 N.O., 1 N.C. contacts design.
- Tempe. Range +5°F to +160°F (-15°C to +70°C).

RATING

6A 125 or 250V AC
0.4A 125V DC

CIRCUITRY



CHARACTERISTICS

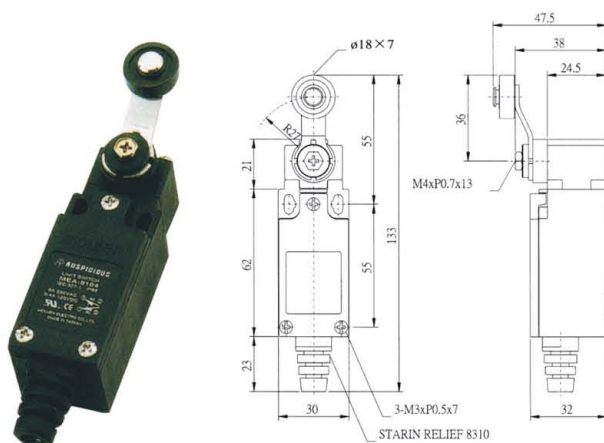
Operating speed	0.5mm to 50m/sec.
Operating frequency	Mechanically: 120 operations/min. Electrically : 30 operations/min.
Contact resistance	15mΩ max. (initial)
Insulation resistance	100M Ω min. (at 500 VDC)
Dielectric strength	1,000 VAC, 50/60 Hz for 1 minute between non-continuous terminals 1,500 VAC, 50/60 Hz for 1 minute between each terminal and non-current carrying metal part and between each terminal and ground
Vibration	Malfunction durability : 10 to 55 Hz 1.5mm double amplitude
Shock	Mechanical durability : Approx. 1,000m/sec ² (approx. 100G's) Malfunction durability : Approx. 300m/sec ² (approx. 30G's)
Ambient temperature	Operating: -15°C to +70°C
Humidity	95% RH max.
Service life	Mechanically : 10,000,000 operations min. Electrically: 500,000 operations min.
Degree of protection	IEC 529 class IP65

OPERATING CHARACTERISTICS

Operating characteristics \ Type	AZ-9104	AZ-9108	AZ-9107	AZ-9111	AZ-9112 AZ-9122	AZ-9161 , AZ-9169 AZ-9166
OF Max.	600g	450g	450g	700g	700g	150g
RF Min.	50g	40g	40g	150g	150g	-
PT Max.	20°	18°-28°	18°-28°	2mm	2mm	30mm
OT Min.	75°	30°	30°	4mm	4mm	-
MD Max.	10°	14°	14°	0.8mm	0.8mm	-
OP	95°	-	-	18mm	28mm	-

DIMENSIONS

AZ-9104



AZ-9108

