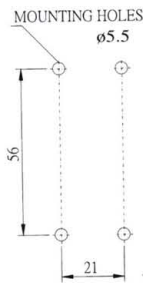


Mini Limit Switches

FEATURES

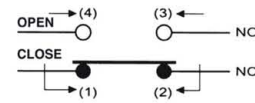
- Wide choice of heads and actuators
- Variety of operating characteristics.
- Captive cover screws.
- Mode of operation is field adjustable.
- Internal grounding screw.
- Dustproof, Oil-Tight, Water-Resistant.
- Temperature range +5°F to +160°F



RATING

5A 250 VAC (resistive)
0.4A 125 VDC (resistive)

CIRCUITRY



AZ-8000

CHARACTERISTICS

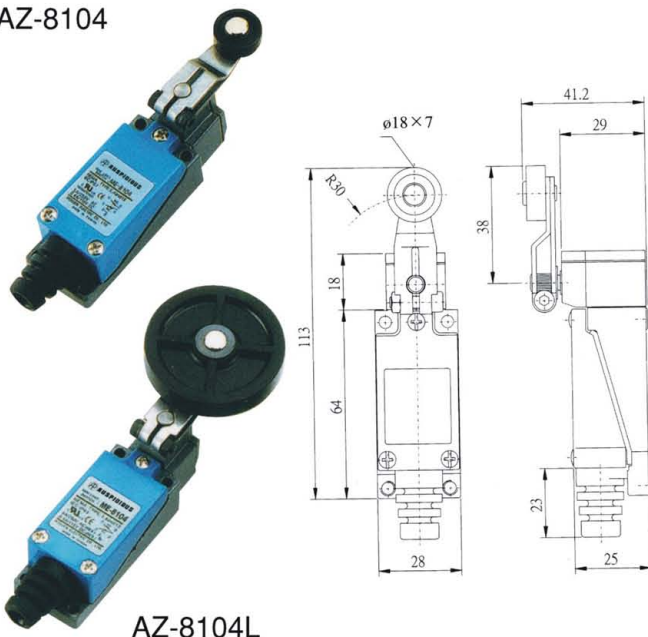
Operating speed	0.5mm to 50m/sec.
Operating frequency	Mechanically:120 operations/min.
Contact resistance	Electrically :30 operations/min. 15mΩ max.(initial)
Insulation resistance	100M Ω min. (at 500 VDC) 1,000 VAC,50/60 Hz for 1 minute between non-continuous terminals
Dielectric strength	2,000 VAC,50/60 Hz for 1 minute between each terminal and non-current-carrying metal part and between each terminal and ground
Vibration	Malfunction durability : 10 to 55 Hz; 1.5mm double amplitude
Shock	Mechanical durability : Approx. 1,000m/sec ² (approx. 100G's) Malfunction durability : Approx. 300m/sec ² (approx. 30G's)
Ambient temperature	Operating : -15°C to +70°C
Humidity	95% RH max.
Service life	Mechanically : 10,000,000 operations min. Electrically : 300,000 operations min.
Degree of protection	IEC 529 class IP65

OPERATING CHARACTERISTICS

Operating characteristics \ Type	AZ-8104	AZ-8108	AZ-8107	AZ-8111	AZ-8112 AZ-8122	AZ-8166 , AZ-8168 AZ-8167 , AZ-8169
OF Max.	600g	600g	750g	900g	900g	150g
RF Min.	50g	50g	50g	150g	150g	-
PT Max.	20°	20°	20°	1.5°	1.5°	30°
OT Min.	75°	75°	75°	4°	4°	20°
DT Max.	10°	10°	10°	1°	1°	-
TT Min.	95°	95°	95°	5°	5°	-

DIMENSIONS

AZ-8104



AZ-8108

