

Mini Enclosed Limit Switches

FEATURES

- Side mount switches.
- Momentary contacts.
- Wide choice of heads and actuators.
- Sealed actuators.
- Completely sealed structure.
- Plastic sealed construction.
- Temperature range +5°F to +175°F (-15°C to +80°C).

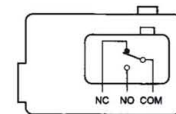
CHARACTERISTICS

Operating speed	0.01mm to 50 cm/sec. (at pin plunger)
Operating frequency	120 operations/min.
Contact resistance	25m Ω max. (initial)
Insulation resistance	100M Ω min.at 500VDC
Dielectric strength	1,000 VAC, 50/60 Hz for 1 minute between non-continuous terminals 2,000 VAC , 50/60 Hz for 1 minute between current-carrying and non-current carrying parts and between each terminal and ground.
Vibration	Malfunction durability : 10 to 55 Hz 1.5mm double amplitude.
Shock	Mechanical durability : 1,000m/sec ² approx. 100G's Malfunction durability : 300m/sec ² (approx. 30G's)
Ambient operating temperature	Operating : -10°C to +80°C
Humidity	95% RH max. (at +25°C to +35°C)
Service life	Mechanically : 10,000,000 operations min. (at rated OT value) Electrically : 500,000 operations min.
Degree of protection	IEC :IP65

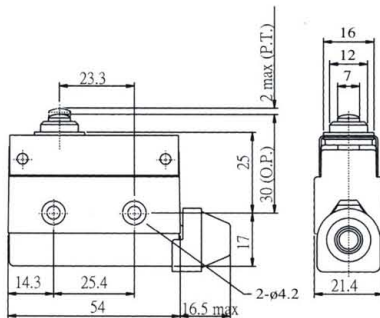
RATING

10A	250 VAC
0.5A	125 VDC

CIRCUITRY

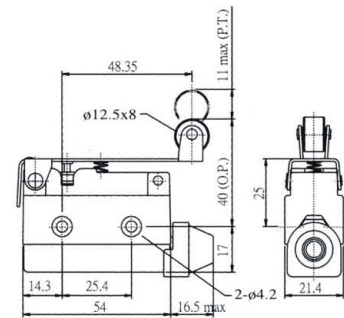


AZ-7100



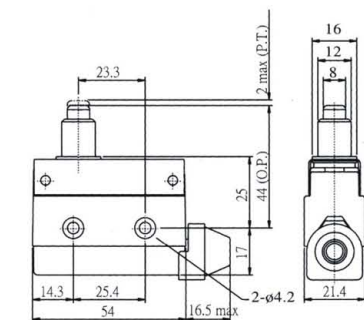
OF MAX	600g
RF MIN	100g
PT MAX	2.0mm
OT MIN	0.8mm
DT MAX	0.8mm
OP	30 ± 1.5

AZ-7121



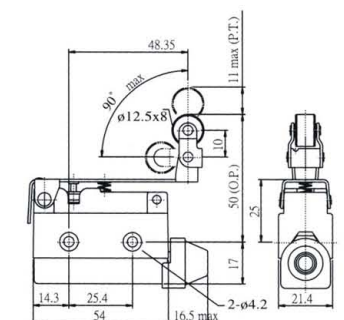
OF MAX	180g
RF MIN	50g
PT MAX	11.0mm
OT MIN	3.0mm
DT MAX	2.4mm
OP	40 ± 1.9

AZ-7110



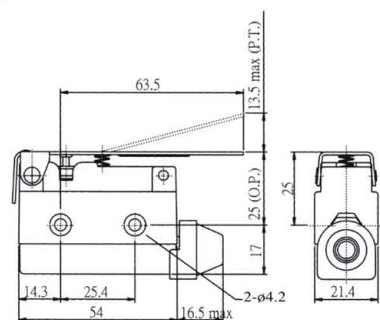
OF MAX	600g
RF MIN	100g
PT MAX	2.0mm
OT MIN	5.0mm
DT MAX	0.8mm
OP	44 ± 1.5

AZ-7124



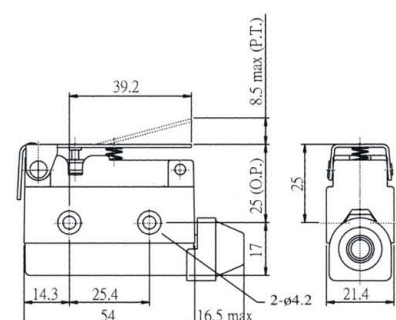
OF MAX	200g
RF MIN	60g
PT MAX	11.0mm
OT MIN	3.0mm
DT MAX	2.4mm
OP	50 ± 1.9

AZ-7120



OF MAX	150g
RF MIN	40g
PT MAX	13.5mm
OT MIN	4.0mm
DT MAX	3.2mm
OP	25 ± 2.0

AZ-7140



OF MAX	220g
RF MIN	60g
PT MAX	8.5mm
OT MIN	2.5mm
DT MAX	2.0mm
OP	25 ± 1.3