

Type V Micro Switches

Specification switches

Type designation: V15-187 series V15-250 series

TUV Rheinland Group

Standard:EN61058-1

Rating:10A, 250V~

Actuation:method: Push button switch,lever switch suitable for connection of prepared supply conductors.

Connection method:quick connect tap terminal 4.8mm x 0.8 for V15-187 series and 6.35mm x 0.8 for V15-250 series.

Wire cross-section area : 1.0~2.5mm²

Disconnection type : Micro disconnection

Pollution situation : 2

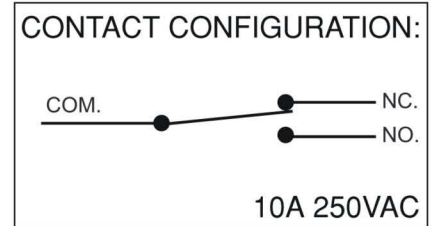
Mounting method : Built-in into an appliances

Rated impulse withstand voltage 2500V

Level of glow-wire test : 3

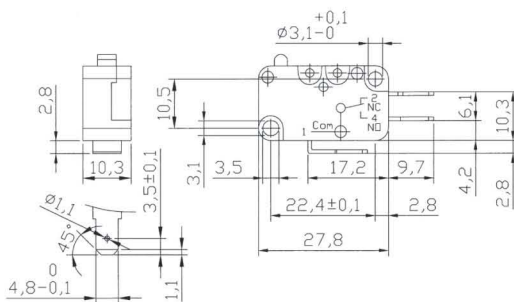
Service life : Mechanically : 1,000,000 operations min.

Electrically : 100,000 operations min. (full load)

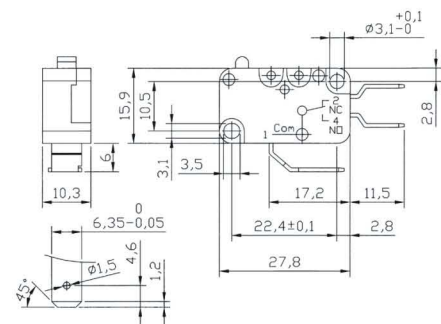


Terminal :

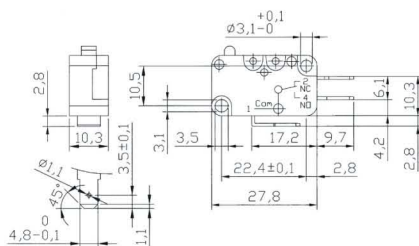
V15-187 Quick connect terminal



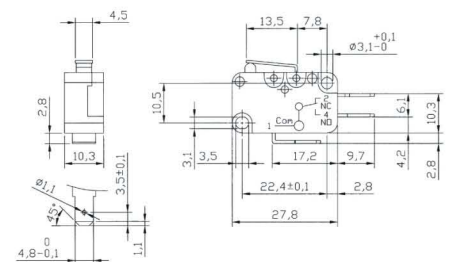
V15-250 Quick connect terminal



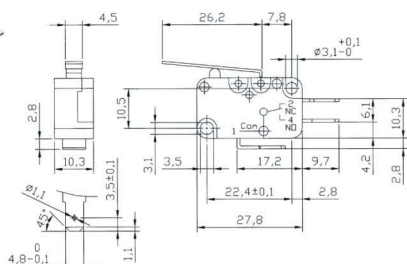
V15-187-00



V15-187-01



V15-187-02



V15-187-03

