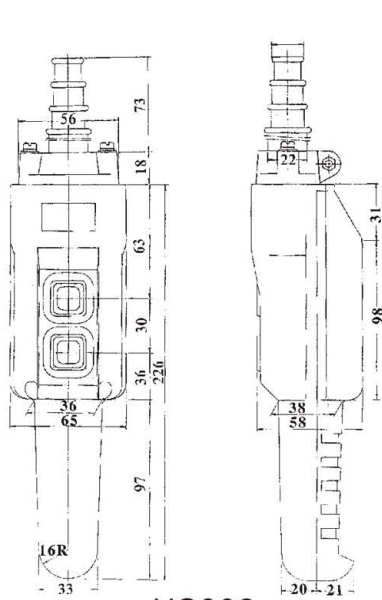


HOIST WATER PROOF PUSH BUTTON PENDANT SWITCH



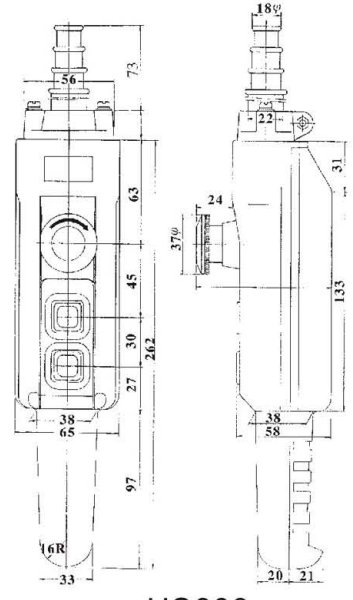
HS802



HS802



HS803



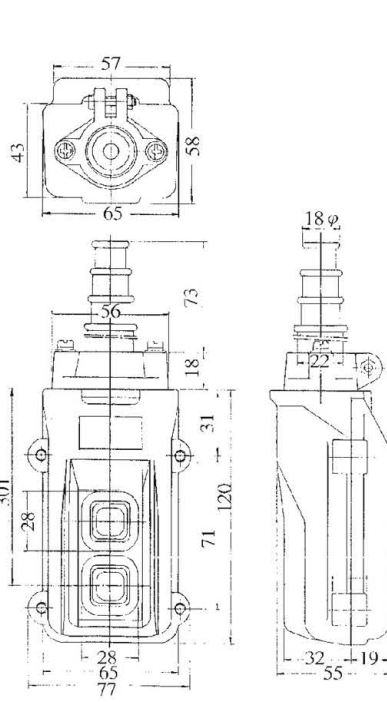
HS803

The **HS80 Series** is a compact, pistol-grip design two-button, three-button with Emergency stop pendant station, and features:

- An especially ergonomic design-less than three inches wide-weighing only 10 ounces
- Construction of high impact ABS, and high visibility safety yellow
- NEMA 4 waterproof rating
- Single-speed 5 amp, 250 volt contact block
- Multi-diameter cable bushing



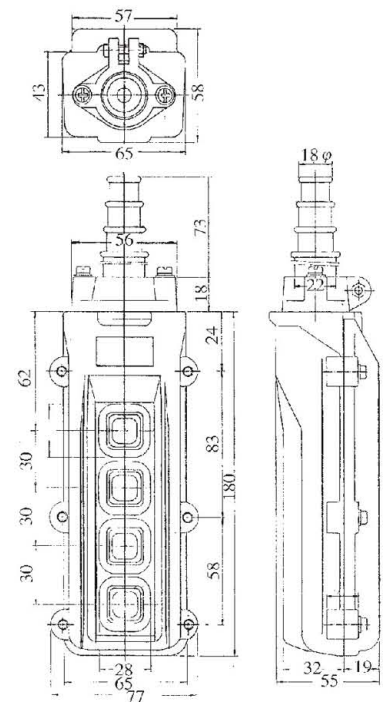
HS81



HS81



HS82



HS82