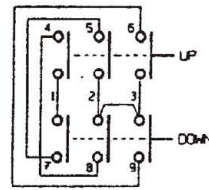
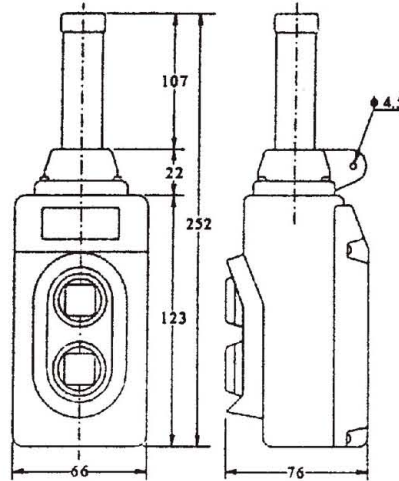


Dimensions and Connections of COB213



COB 213
 1-3: Power source
 1-6: Main winding
 4-5: Starting winding

Dimensions in mm

Designed for direct control of single phase electric motors. Since motor current is controlled directly by the pendant switch no extra reversing contactors or costly controls are required.

Features

- Durable high quality A.B.S. Pendant switch housing
- Highly visible safety orange color
- NEMA 4 water-proof enclosure
- Split case design for easy installation and wiring
- Flexible cable boot selected to match size of cable prevents entry of foreign debris
- Slim compact size suited for one hand operation
- Control ratings for 1HP max. at 120 VAC
- Two button switch with a wide range of legend markings



Legends

UP, DOWN, RAISE, LOWER, EAST, WEST, NORTH, SOUTH, U, D, E, W, N, S, R, L, ↑↓

Rating: 220VAC, 2.2KW water proof, direct operation

