

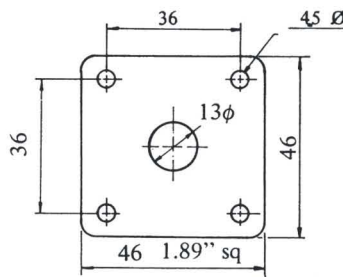
CONTENTS OF CAM SWITCHES

Dimensions and Nominal Rating	7	Star Delta Switches.....	14
Operating Position	7		
Change-over Switches	8.9		
ON/OFF Switches.....	8.9		
Multi-step Switches	10.11		
Moter Reversing Switches	12		
Moter Control Switches.....	12		
Voltmeter Switches	13		
Ammeter Switches.....	13		

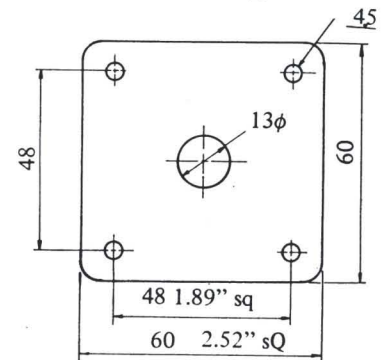
NOMINAL RATING

Continuous Current 1th 2 A	AC3-Power 3 x 380V A	Type
20	4	A 11
25	7.5	A12
20	4	A21
25	7.5	A22

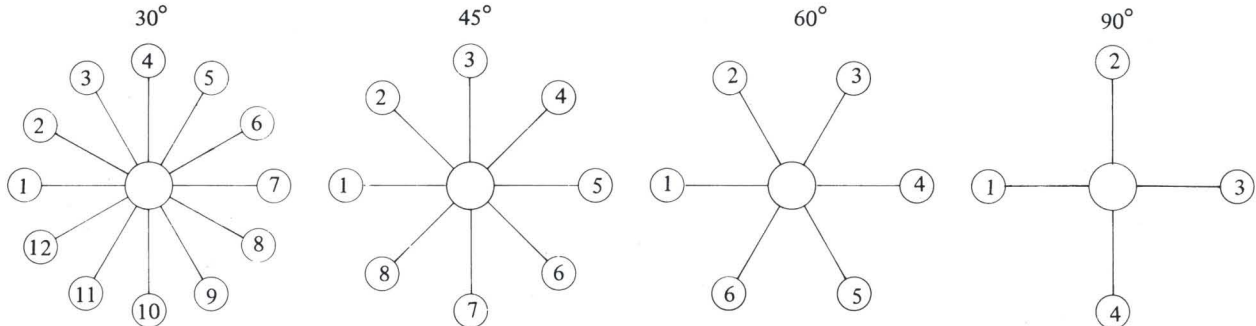
Dimensions for Type A11, A12



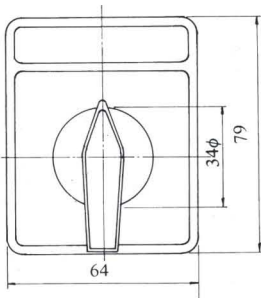
Dimensions for Type A21, A22



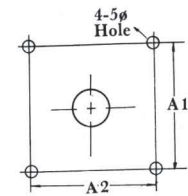
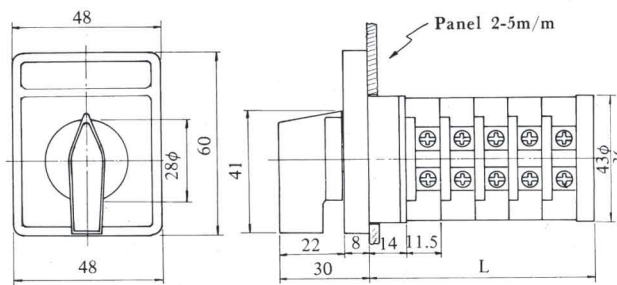
Operational position



Mounting Dimensions



Mounting Dimensions



Type	A1	A2
A11	36	36
A12	36	36
A21	48	48
A22	48	48

DIMENSIONS

Total Number of stage	1	2	3	4	5	6	7	8	9	10
Length L	37	48.5	60	71.5	83	94.5	106	117.5	129	140.5

CENTER HOLE MOUNTING

