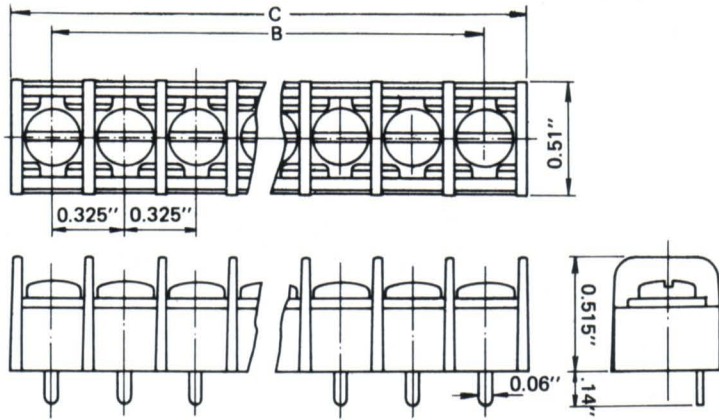


PCB MOUNTING TERMINAL BLOCK

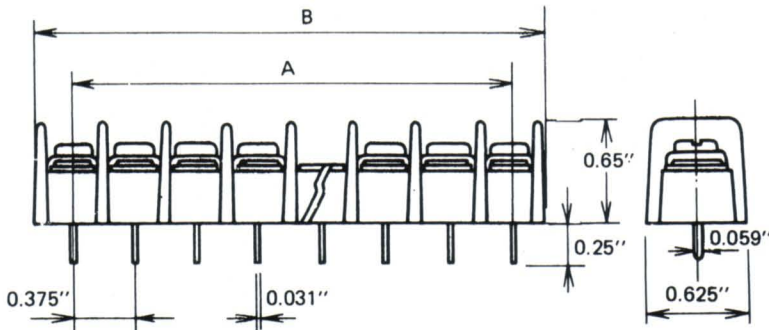


TB825 PITCH : 8.25mm (0.325")
 RATING : 15AMPS 300VAC
 MATERIAL : THERMO PLASTIC UL94-VO



NO. OF POLE	B	C	POLE	B	C	POLE	B	C
3	0.65	1.06	16	4.88	5.29	29	9.10	9.51
4	0.98	1.38	17	5.20	5.61	30	9.43	9.84
5	1.30	1.71	18	5.53	5.93	31	9.75	10.16
6	1.63	2.03	19	5.85	6.26	32	10.07	10.48
7	1.95	2.36	20	6.18	6.59			
8	2.28	2.69	21	6.50	6.91			
9	2.60	3.01	22	6.83	7.24			
10	2.93	3.34	23	7.15	7.50			
11	3.25	3.66	24	7.48	7.89			
12	3.58	3.99	25	7.80	8.21			
13	3.90	4.31	26	8.13	8.54			
14	4.23	4.64	27	8.45	8.86			
15	4.56	4.96	28	8.78	9.19			

TB953 PITCH : 9.53mm (0.375")
 RATING : 20AMPS 300VAC
 MATERIAL : THERMO PLASTIC UL94-VO



NO. OF POLE	A	B	NO. OF POLE	A	B
1	0.375	0.45	15	5.625	5.70
2	0.75	0.83	16	6.00	6.08
3	1.125	1.20	17	6.375	6.45
4	1.50	1.58	18	6.75	6.83
5	1.875	1.95	19	7.125	7.20
6	2.25	2.33	20	7.50	7.58
7	2.625	2.70	21	7.875	7.95
8	3.00	3.08	22	8.25	8.33
9	3.375	3.45	23	8.625	8.70
10	3.75	3.83	24	9.00	9.08
11	4.125	4.20	25	9.375	9.45
12	4.50	4.58	26	9.75	9.82
13	4.875	4.95	27	10.125	10.20
14	5.25	5.33	28	10.50	10.57