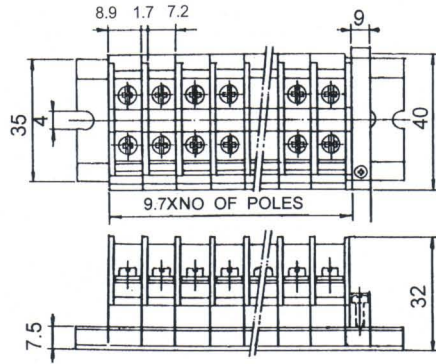
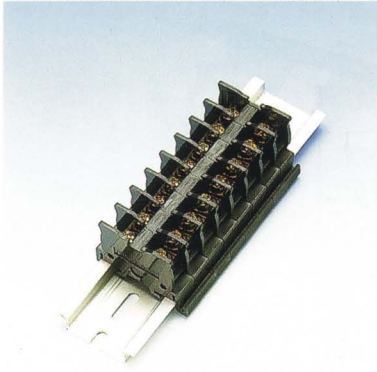


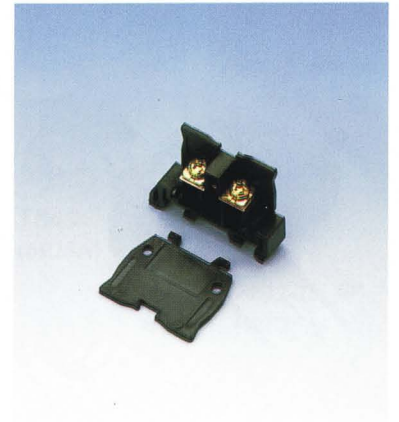
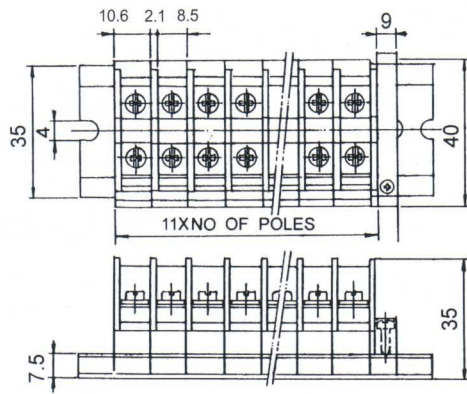
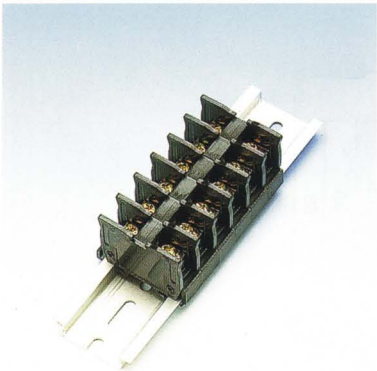
RAIL MOUNT TERMINAL BLOCK



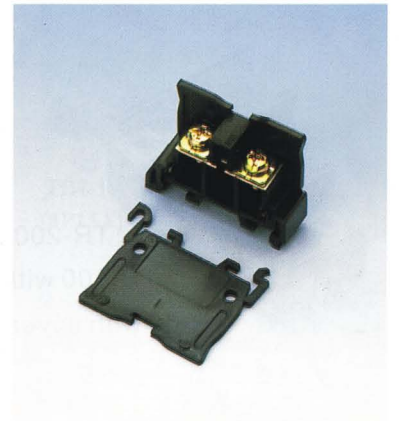
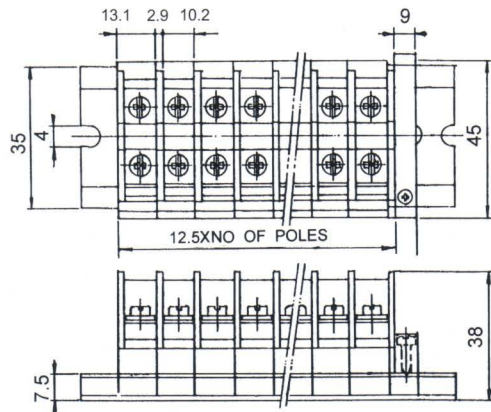
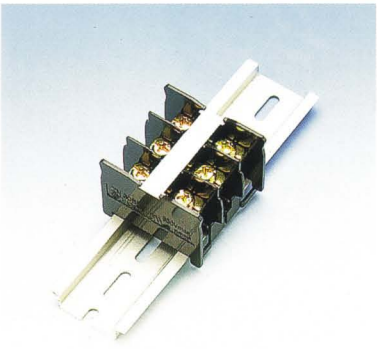
TR-10 2 mm² 10A 300VAC PITCH:8.9mm



TR-20 3.5 mm² 20A 300VAC PITCH:10.6mm



TR-30 6 mm² 30A 300VAC PITCH:13.1mm



TR-60 22 mm² 60A 300VAC PITCH:22.4mm

